

# DL-9068

## 120V Line Voltage

6" NON-IC Type Adjustable Housing For Super Sloped Ceiling

Catalog #		Type
Project		Date
Prepared by		

**INCANDESCENT**

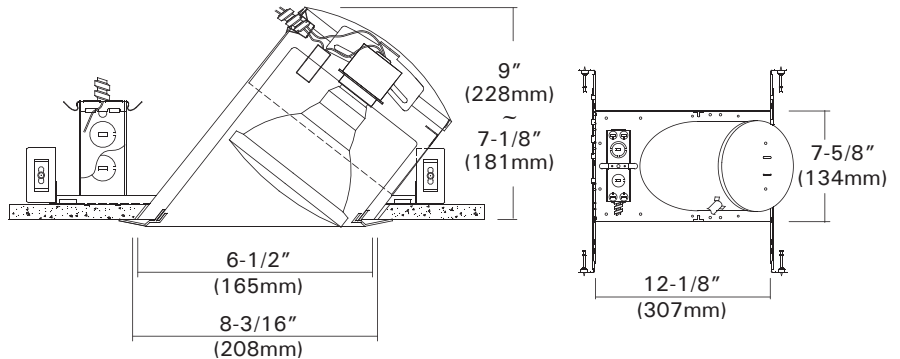


### DESCRIPTION

Designed for sloped ceiling installations in ceilings with a 7/12 to 12/12 pitch. The socket aiming mechanism allows the lamp to be aimed straight down regardless of ceiling pitch.

### APPLICATION

The DL-9068 is designed for use in non-insulated ceilings. Insulation material must be kept a minimum of 3" from all sides of the housing.



### DESIGN FEATURES

Oval Ceiling Cut-out : 8-3/16" x 6-1/2"  
Lamp, Max, Watt. : 150W PAR30 / PAR38 / R30

#### ◦ Housing

- Single wall steel housing.
- 7-1/4" height allows use in 2"X8" or 2"X10" joist construction.
- Housing adjusts for ceilings up to 1" thick.

#### ◦ Junction Box

- Listed for through branch circuit wiring. (Max. 8 No 12 AWG 90°C branch circuit conductors. (4 in, 4 out)
- (5) 1/2" knockouts with true pry-out slots and (4) knockouts with Romex cable clamp.
- Ground wire provided on J-box.

#### ◦ Mounting Frame

- Galvanized steel construction.
- 12"L x 7-5/8"W

#### ◦ Bar Hangers

- Maximum extension of 24" allows for extra distance between joists.
- Housing can be positioned at any point within 24" joist span.
- Score lines allow "toolless" shortening for 12" joists. Bar hangers may be repositioned 90 degrees.
- Integral T-bar clips snaps onto T-bars and no additional clips are required.

#### ◦ Just-A-Nail

- Pre-installed nail bars with vertical slots are used to evenly align the bars horizontally after nailing halfway into wood joists.

#### ◦ Socket

- Medium base porcelain with nickel-plated copper screw shell.
- Adjustable to position lamp perpendicular to floor.

#### ◦ Lamp

- Lamp ratings based on trim selected - See trim page for more details.

#### ◦ Thermal Protector

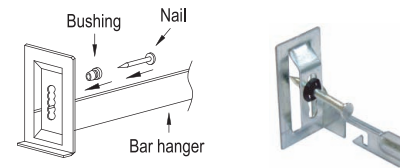
- Self-resetting thermal protector in the housing deactivates fixture if overheating occurs due to improper lamping or insulation.

#### \* Listing

- UL, c-UL listed for damp location.
- UL, c-UL listed for feed through.

#### • Just-A-Nail

Adjustable nail hanger bar for easy alignment.



**JUST-A-NAIL**

#### • Optional "Quick Connect" Push-in wire connectors.

- Three "Quick Connectors"
- Pre-installed push-in wire connectors for fast and easy wiring.